



## WEEKLY PARENT BULLETIN NO 30 – WEEK B

Week Commencing 6 <sup>th</sup> May 2024	
Monday 6 <sup>th</sup> May	MAY DAY BANK HOLIDAY
Tuesday 7 <sup>th</sup> May	Year 10 Exams (see schedule below)
Wednesday 8 <sup>th</sup> May	Year 10 Exams (see schedule below)
Thursday 9 <sup>th</sup> May	Year 11 GCSEs begin (see schedule below)
Friday 10 <sup>th</sup> May	

Well done to all of our Year 10 students who have done brilliantly this week in their **end of year exams**. They have had a packed schedule with 2 exams most days but, as a group, they have approached them confidently and maturely. There are a few more next week and then our teachers will begin marking and moderating in their subjects before we approach a results assembly in the coming weeks.

Whilst Year 11 GCSE exams begin in earnest next week we did have some **Spanish speaking exams** this week and also a **2 day Art exam**. The art pieces our young people have produced are incredible and we really hope the careful preparation for the speaking exams pay off too!

Thank you for all of our Year 9 students who have returned their **options forms** on time. We now begin the complicated process of matching choices to subjects and fitting our timetable. This will take some time and we always try to give students four of their five choices wherever possible so we will write to you again in Term 6 when we have finalised this.

You may have seen on social media we are prioritising rewards for **100% attendance** over the month of May. It's crucial that students attend well and we know the direct link between attendance and academic attainment. There are 18 school days in May and a range of prizes are available and will be decided on the last day of this term. See more information below.

We hope the students on our **Manchester City trip** today and over the weekend have an amazing time. These trips serve to make lasting memories and we are really grateful for our PE team giving up time over their weekend to make it happen.

Enjoy the May Bank Holiday Weekend

Richard Brand  
Headteacher

@thedeacademyofficial

@thedeacademyofficial

@TheDeanAcademy





# MAY ATTENDANCE CELEBRATION

To celebrate our fantastic school attendance rate, which continues to be well above the national average, we are having a big prize giveaway for those with 100% attendance in the month of May

From Wednesday 1<sup>st</sup> May to Friday 24<sup>th</sup> May, which is a total of 18 days in school, if you have 100% attendance, you are guaranteed a reward and could possibly be the winner of one of our top prizes. Everyone with 100% attendance will earn one raffle ticket in our prize draw.

3 x 1<sup>st</sup> Place  
Guaranteed first choice pick of the 2024 Reward Trips  
and trip paid for by the school

5 x 2<sup>nd</sup> Place  
£10 Amazon Voucher

10 x 3<sup>rd</sup> Place  
Free Friday School Dinner with Queue Jump

4<sup>th</sup> Place 100% Reward  
All Students with 100% in May will receive an  
extra tasty treat at our end of term House Tug of War



## DATES FOR YOUR DIARY

22<sup>nd</sup> May 2024

Year 9 DDP/Men ACWY vaccinations

### YEAR 10 EXAM SCHEDULE

Date	Exam
Tuesday 7 <sup>th</sup> May	Period 2 & 3 Science Physics Paper 3 Period 4 & 5 History
Wednesday 8 <sup>th</sup> May	Period 2 & 3 Spanish Reading/Writing Period 4 & 5 Geography

### YEAR 11 EXAM SCHEDULE

Date	Exam
Thursday 9 <sup>th</sup> May	9.15 a.m. RPE



THE DEAN  
ACADEMY

Church Road, Lydney  
Gloucestershire, GL15 5DZ  
01594 843202  
info@thedeacademy.org

Richard Brand, Headteacher

Friday 10<sup>th</sup> May

9.15 a.m. Biology

ENJOYMENT

ACHIEVEMENT

COMMUNITY

Congratulations to the following weekly winners of our attendance raffle week ending 26<sup>th</sup> April 2024:

KS3 – Max T – Year 7  
KS4 – Willow B – Year 10

## BRONZE AWARD BADGES

Mr Glynn presented lots more students this week with their Bronze Award Badges for Community, Kindness, Above & Beyond and Resilience & Excellence. Well done!





THE DEAN  
ACADEMY

Church Road, Lydney  
Gloucestershire, GL15 5DZ  
01594 843202  
info@thedeacademy.org

Richard Brand, Headteacher

## WEIGHTLIFTING EVENT AT FORTITUDE GYM

So proud of Harry in Year 11 who, over the weekend, participated in a weightlifting event at Fortitude Gym in Lydney. Harry was the youngest in his weight class and did brilliantly – he smashed his personal best by 6kgs lifting an impressive 77kgs in the clean and jerk lift. It's been a busy year for Harry, back in February he took part in the Nationals in Maidstone and came second! We are delighted that Harry has now qualified for the British Championships! Well done, this is a fantastic achievement.



## GLOUCESTER RUGBY CLUB U16s

Cooper W in his Gloucester Rugby Club kit. Cooper has been invited back to the U16s Developing Player Programme





THE DEAN  
ACADEMY

Church Road, Lydney  
Gloucestershire, GL15 5DZ  
01594 843202  
info@thedeacademy.org

Richard Brand, Headteacher

## PRODUCT DESIGN

Year 9 & 10 students have been busy in Product Design with Ms Muirhead this term making tables and moving toys – great work!





## BEYOND WORDS READING PROGRAMME

In tutor time, Miss Longman's tutor group have been reading 'Anita and Me' by Meera Syal. It's a semi-autobiographical novel which tells the story of nine-year-old Meena, growing up in the only Punjabi family in the Black Country mining village of Tollington. The group are finding the book really interesting, especially finding out about Meena's life and the differences between lifestyles from different cultures living in the same village.



Finley L



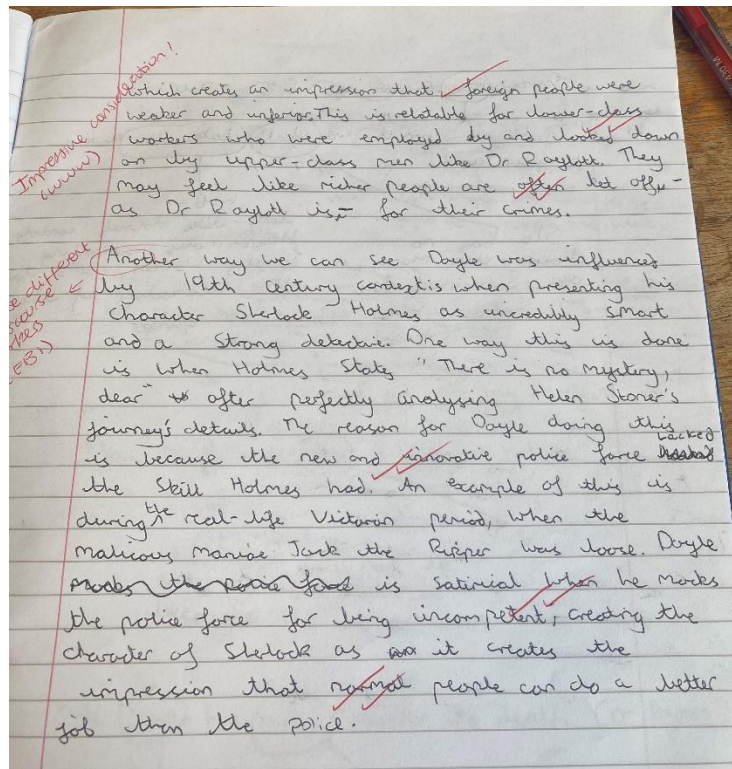
Ava W, Emily H & Jayden L

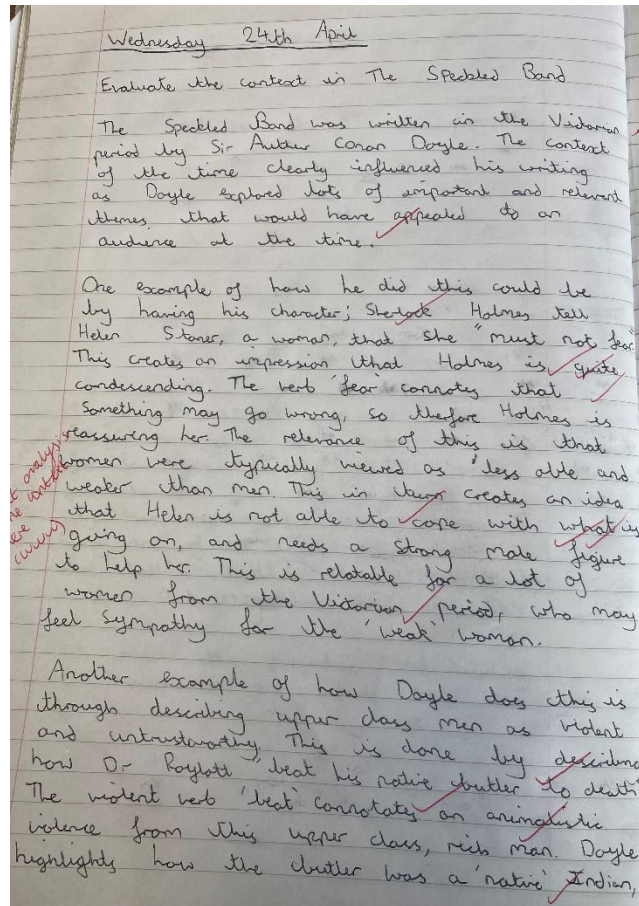
Darcy T



## ENGLISH

### English essay by Toby G





## SCIENCE

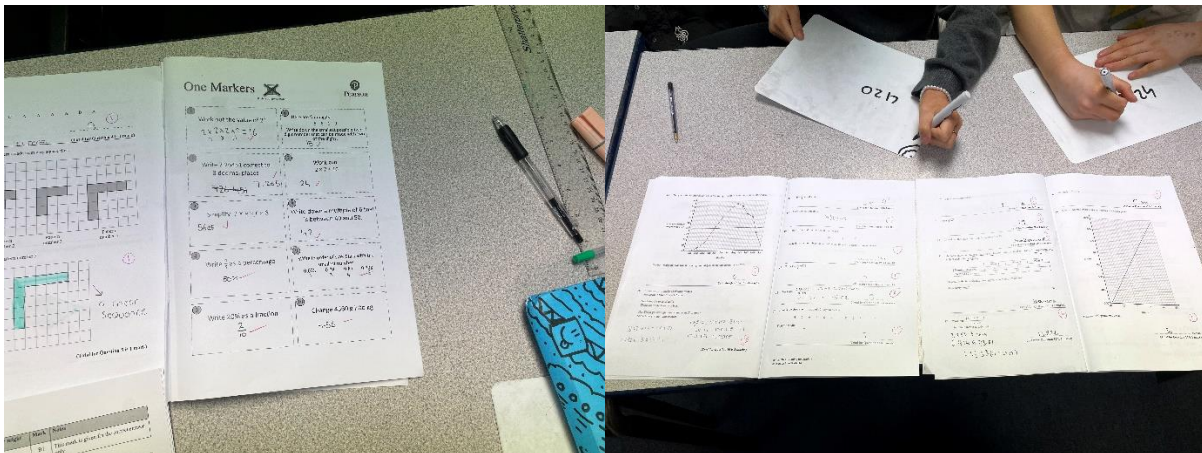
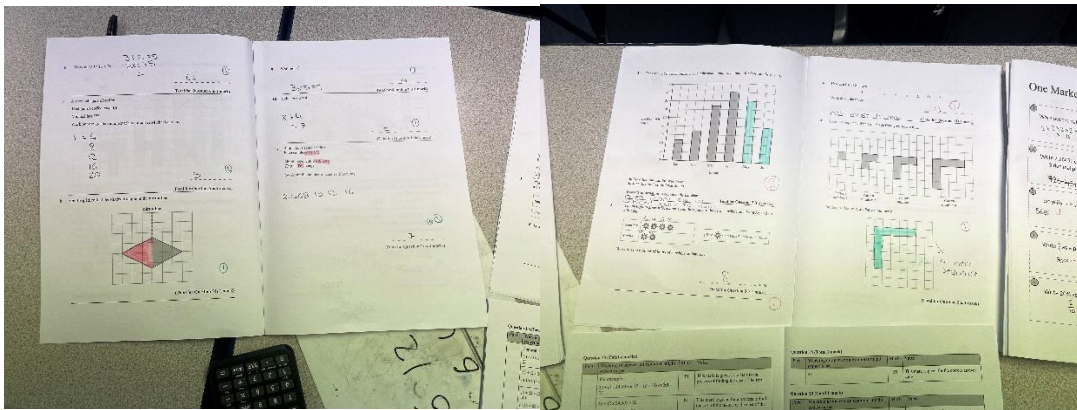
Oscar and Archie in Year 8 investigating whether strawberry laces obey Hooke's Law.





## MATHS

Year 10 Maths revision for their mocks this week.



## SCIENCE CLUB

Members of Science Club with Miss Wheatstone have had a busy, few sessions. Yesterday, they were foraging for plants and mini beasts to develop their understanding of habitats by building their own terrariums and in their previous session they went on a moss safari using microscopy skills to look for and identify signs of life in moss under the microscope.



THE DEAN  
ACADEMY

Church Road, Lydney  
Gloucestershire, GL15 5DZ  
01594 843202  
info@thedeacademy.org

Richard Brand, Headteacher



Percy W



Jake D



Charles H

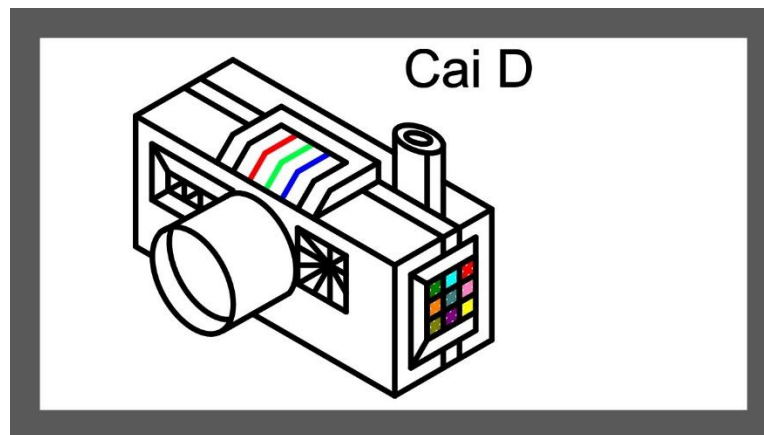


Percy W

Wesley A

## DESIGN & TECHNOLOGY

The work below are examples of CAD work produced by a Year 9 Design and Technology group. It was a piece of work that required skills in isometric and knowledge recall from previous lessons. This drawing summarised several skills covered and took just a single lesson to complete.

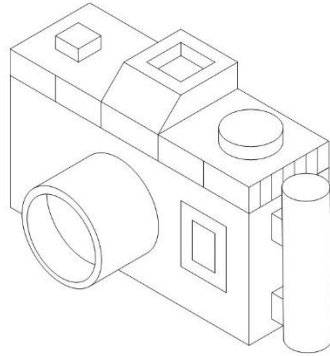




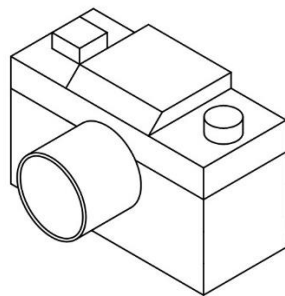
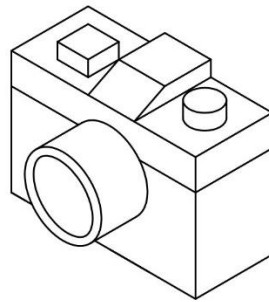
THE DEAN  
ACADEMY

Church Road, Lydney  
Gloucestershire, GL15 5DZ  
01594 843202  
info@thedeacademy.org

Richard Brand, Headteacher



TALLULAH M



TRAVIS M